

BOB

S
H
R

uultis

L A G U N A



DESIGNED BY
ACIOLE FÉLIX



LAGUNA

Exploring the main visual elements, the Laguna armchair references nature and elements of modern architecture. Mixing metal, wood, fabric and straw, translating its details and allowing infinite possibilities.



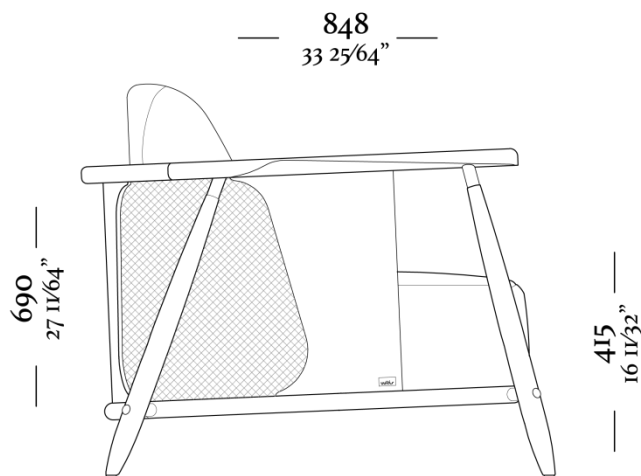
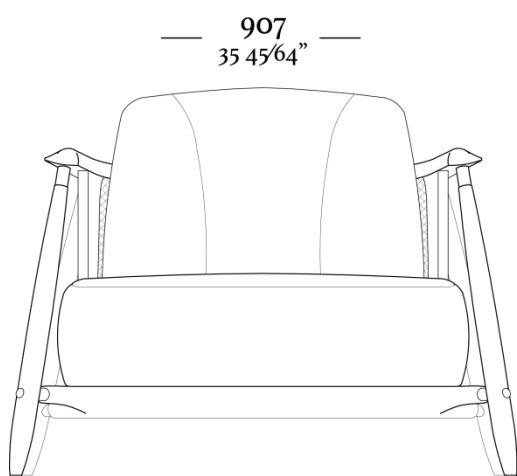
STRUCTURE

High quality and solid wood structure.
MDF sides with a wood veneer or lacquered finish.
Backrest made of a multi-veneer slab
Detail where the metal parts are joined.
The seat and backrest have elastic straps and high density foams wrapped in an ecosoft foam layer.

FINISHES/ COATING

Finishes and coating available according to the price list. There is a wide variety of finishes and coating available to create

LAGUNA



uultis

BR 116, DOIS IRMÃOS

RS | BRASIL

51 3564 8382

UULTIS.COM

CONTATO@UULTIS.COM

