

BOB

SHE

ultis

S T U Z I



DESIGNED BY
SÉRGIO BATISTA



S T U Z I

Solid wood structure is mounted with screws and fixed with PVA glue (suitable for wood), which provides greater resistance and avoids squeaking. The seat, as well as the backrest, are made of multi-laminated sheet, and also has a high-density foam. Comfort and resistance: everything you need to relax.



STRUCTURE

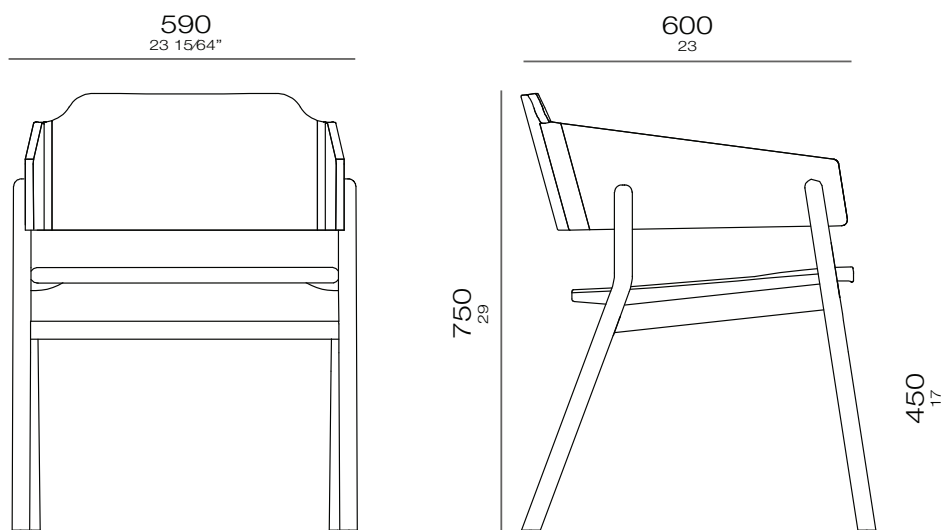
*Solid wood structure.
Backing of multilaminated
plates backrest and seat
covered with foam and
fabric.*

FINISHINGS

*Fabric: 079 TC Fabric: Palette of Uultis Fabrics,
except leather..*

COMPOUND

Structure + backrest and seat.



COMPOSITION

In the image combined with the Ellos table.



COMPOSITION

In the image combined with the Letto table.



uultis

B R I I 6 , D O I S I R M Ã O S

R S | B R A S I L

+ 5 5 5 1 3 5 6 4 8 3 8 2

U U L T I S . C O M

C O N T A T O @ U U L T I S . C O M

