

UULTIS

S  
H  
R

uultis



AROS

DESIGNED BY  
ESTÚDIO UULTIS



# AROS

---

The Aros armchair was designed with the user's ultimate comfort in mind, all while maintaining a refined and distinctive design. Its swiveling base makes it perfect for living spaces, seamlessly combining practicality with the elegance of the intricate details and materials used in its construction.



## STRUCTURE

*Armchair with solid wood structure and multi-laminated sheets, fixed with metal clamps and PVA glue (suitable for wood). Rotating metal base, structured by welding and fixed with metal screws. The backrest has high-density foams and soft foam, which guarantees firmness with a soft touch when sitting. The seat foams are medium and high density, wrapped by an ecosoft foam, providing firmness without losing comfort and softness to the touch.*

## FINISHES/COATING

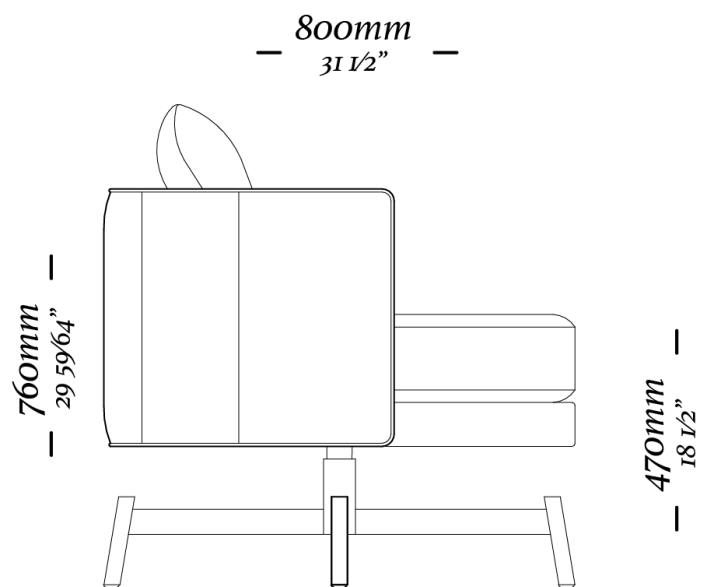
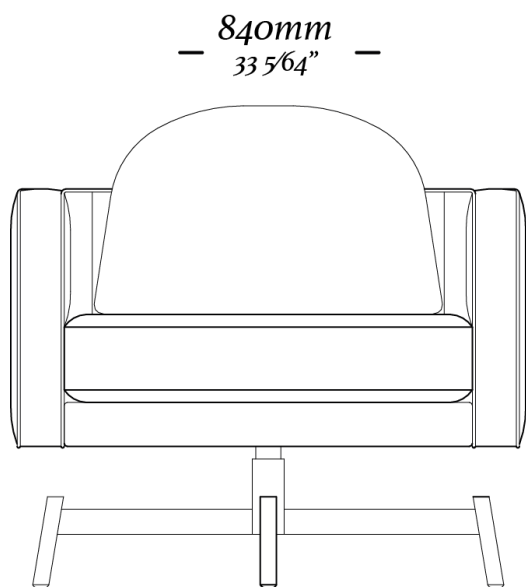
*Finishes and coating available according to the price list. There is a wide variety of finishes and coating available to create unique pieces.*

## CONTRASTING FABRICS

*Base/Seat+backrest/Feets*

# AROS

---



uultis

BR 116, DOIS IRMÃOS

RS | BRASIL

51 3564 8382

UULTIS.COM

CONTATO@UULTIS.COM

