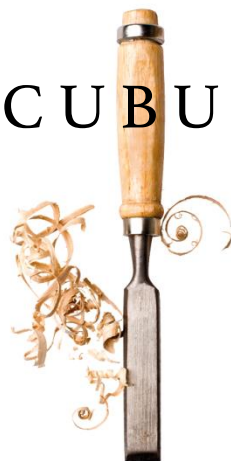


MODERN

SELECTION

ultis

CUBUS



DESIGNED BY
SÉRGIO BATISTA



CUBUS

The clean and geometric shape of the cube is the basic inspiration for the Cubus Armchair. With angles and faces that meet and have identical lengths, the cube and the Cubus imprint minimalist architecture in a balanced way. Compact yet imposing, the armchair is versatile.



STRUCTURE

The structure of the Cubus armchair is made of selected high quality solid wood. Comfort is guaranteed by medium density foam on both, the seat and back. The piece is supported by a metal tube rod, which in addition to ensuring stability also contributes to its minimalist visual identity.

FINISHES/COATING

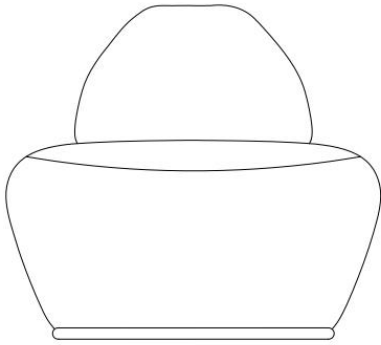
Finishes and coating available according to the price list. There is a wide variety of finishes and coating available to create unique pieces.

CONTRASTING FABRICS

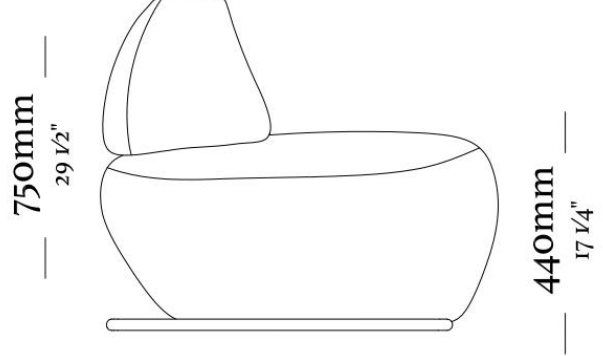
Seat/Backrest/Base

CUBUS

830mm
32 1/2"



890mm
35 3/4"



uultis

BR 116, DOIS IRMÃOS,

RS | BRASIL

51 3564 8382

UULTIS.COM

CONTATO@UULTIS.COM

