

MODERN

SELECTION

multis

HARPA



DESIGNED BY
SÉRGIO BATISTA



HARPA

The metal structure of the base joins the curved crosspiece of the backrest and arms to create a unique piece. The metal rods of the backrest connect the arches of the base and backrest, forming a perfect set of "strings" that play notes of comfort and personality. The Harp armchair is essential for those who seek sophistication and comfort in a piece with unparalleled design.



STRUCTURE

Armchair with metal base fixed with metal welding and screws. The upper part of the backrest is composed of a curved piece of solid reforestation wood. The seat foams are medium and high density covered by an ecosoft foam.

FINISHES/COATING

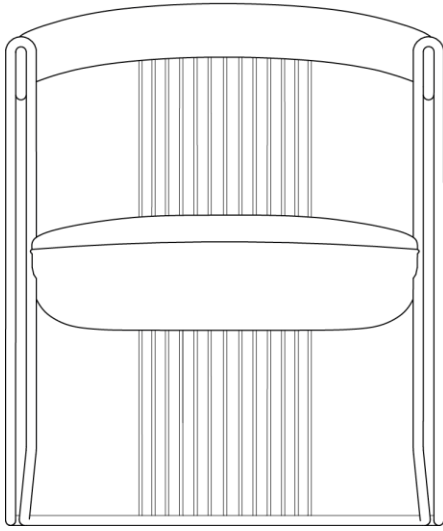
Finishes and coating available according to the price list. There is a wide variety of finishes and coating available to create unique pieces.

CONTRASTING FABRICS

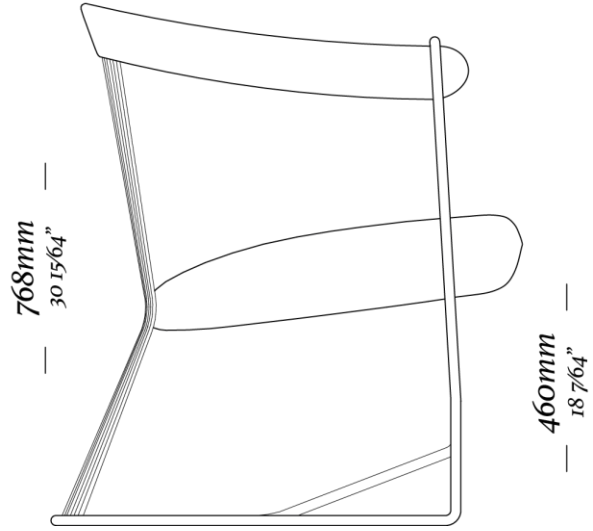
Structure/Arms

HARPA

655mm
— 25 25/32" —



610mm
— 24 1/64" —



uultis

BR 116, DOIS IRMÃOS

RS | BRASIL

51 3564 8382

UULTIS.COM

CONTATO@UULTIS.COM

