

BOB

SHELL

uultis



DESIGNED BY
SÉRGIO BATISTA



S H E L L

Comfort and good taste to accompany best meals. The Shell dining chair is made of solid wood and has the seat covered with foam, the MDF backrest and the curve coated with natural wood laminates or foam covered and coated seat. More comfort? Impossible.



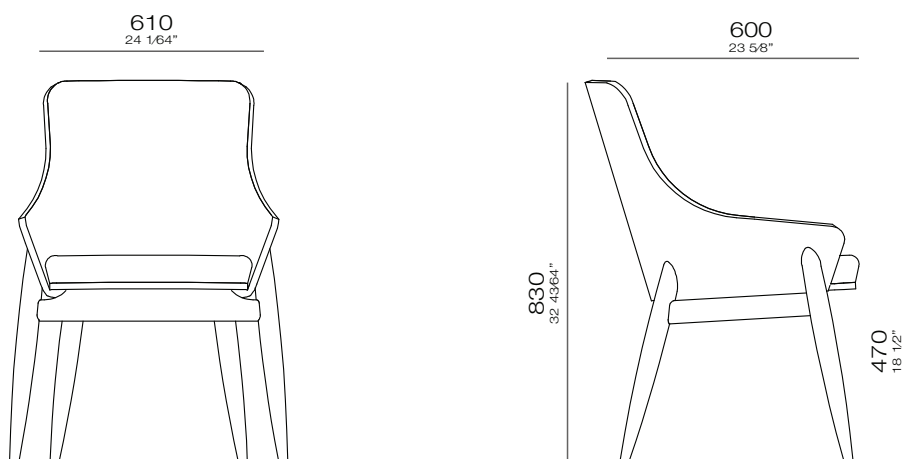
STRUCTURE

Solid wood chair, seat lined with foam and backrest in curved MDF plate covered with natural wood veneers. Chair with structure and feet in solid wood and backrest and seat covered with foam.

FINISHINGS

Wood: 071TC/128 - 077TC/119 - 079TC/079CV OU 080TC/127 145MC/145LC OU 148MT/148LT 071TC - 077TC - 079TC - 080TC - 084TC - 145MC - 148MT. Fabric: Palette of Uultis fabrics, including leather.

S H E L L



COMPOUND
*Shell chair in
conjunction with
the Class desk.*



COMPOSITE
*Shell chair in conjunction
with the Wing table.*





uultis

BR 116, DOIS IRMÃOS

RS | BRASIL

+55 51 3564 8382

UULTIS.COM

CONTATO@UULTIS.COM

